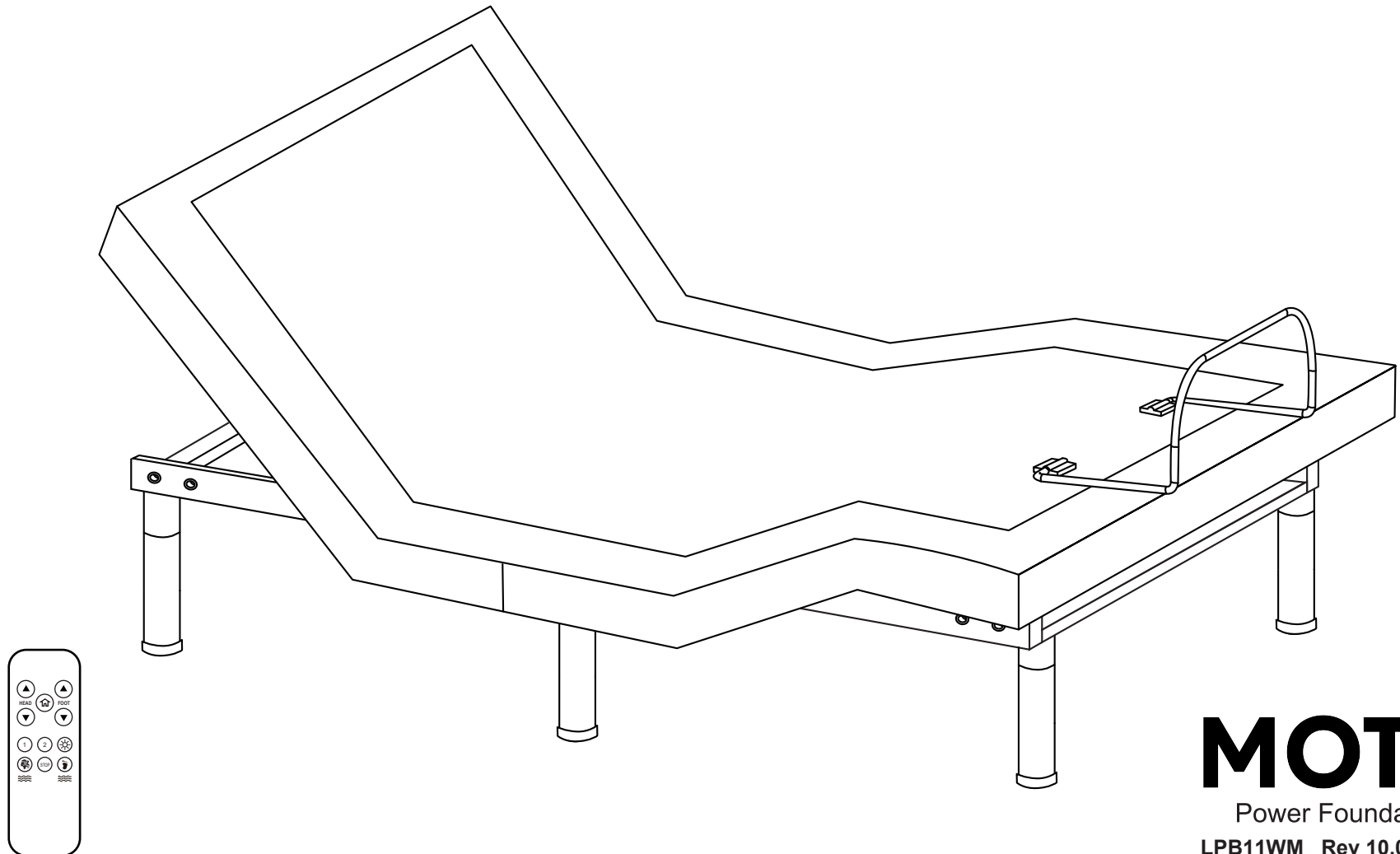


OWNER'S MANUAL

XFB/XSF/SFL Low-Profile Bed



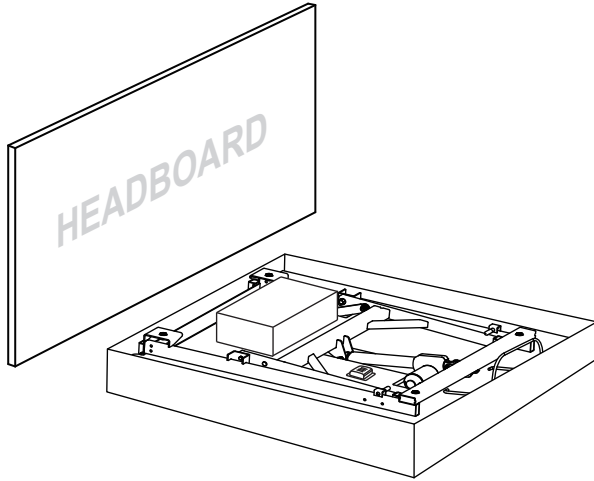
MOTO

Power Foundations

LPB11WM Rev 10.0 08/2023

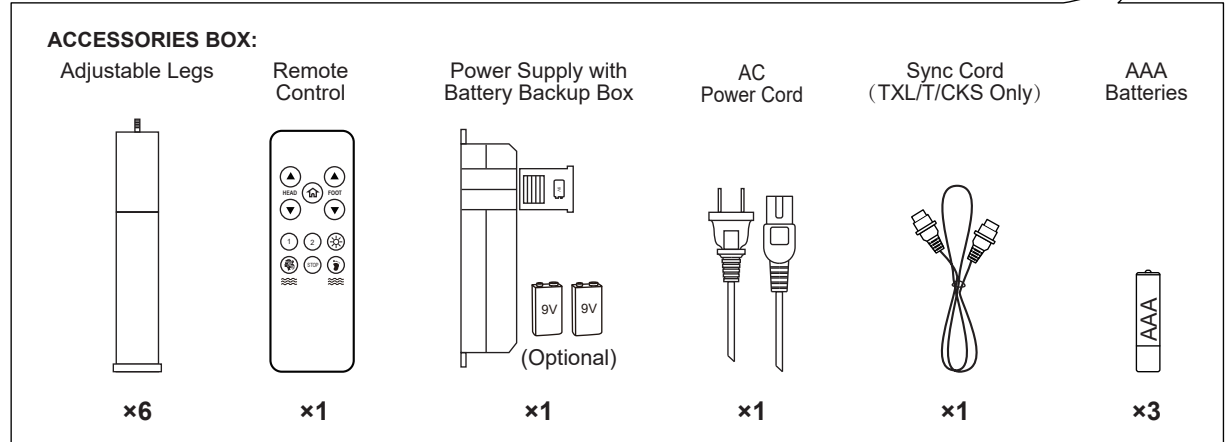
Setup the power foundation without the bed frame.

1 Open the box lid.

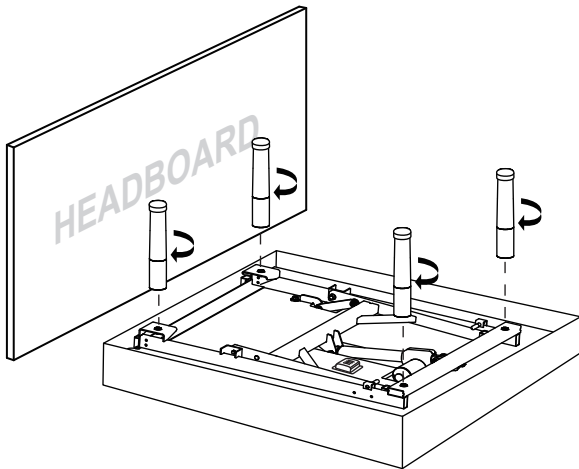


2 Take out all the accessories from the packaging and put them aside. All electronics and components that need to be installed are located in boxes under the foundation or attached to the frame. Before discarding the packing materials, ensure that all the parts are accounted for.

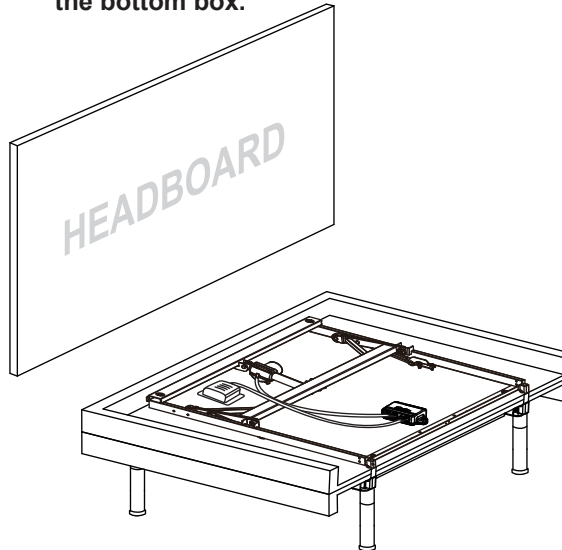
Mattress Retainer Bar **x1(2 for K/CK)**
 Accessories Box **x1**



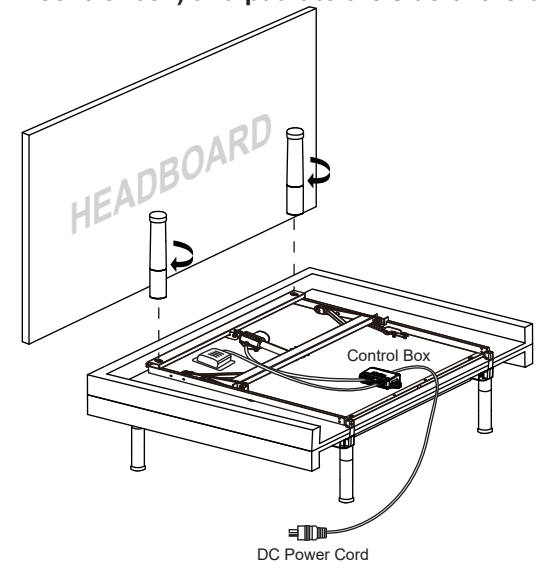
3 Install 4 legs, make sure the legs are tight.



4 Keep the bed folded. Flip over the bed with the bottom box on and let the bed stand on the 4 legs. Discard the bottom box.



5 Install the remaining 2 legs on the foot end of the bed, make sure the legs are tight. Uncoil the DC power cord (connected to the control box) and put it to the side of the bed.





WARNING!

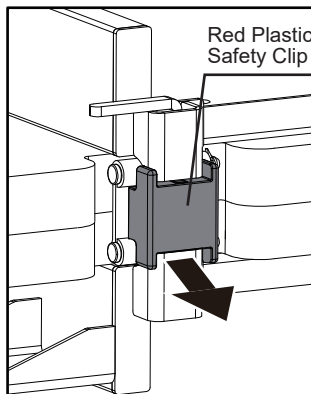
FAILURE TO FOLLOW THIS STEP WILL RESULT IN DAMAGE TO YOUR POWER FOUNDATION.

PLEASE MAKE SURE YOU FOLLOW THE INSTRUCTIONS CAREFULLY BEFORE UNFOLDING YOUR POWER FOUNDATION.

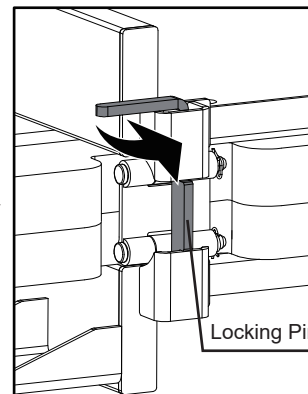
6

Remove the red plastic safety lock before unfolding your power foundation.

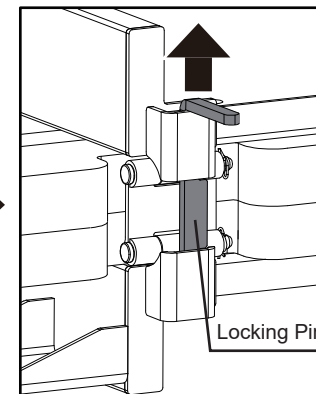
Remove the red plastic safety clip.



Turn the locking pin 90° in counter clockwise direction.

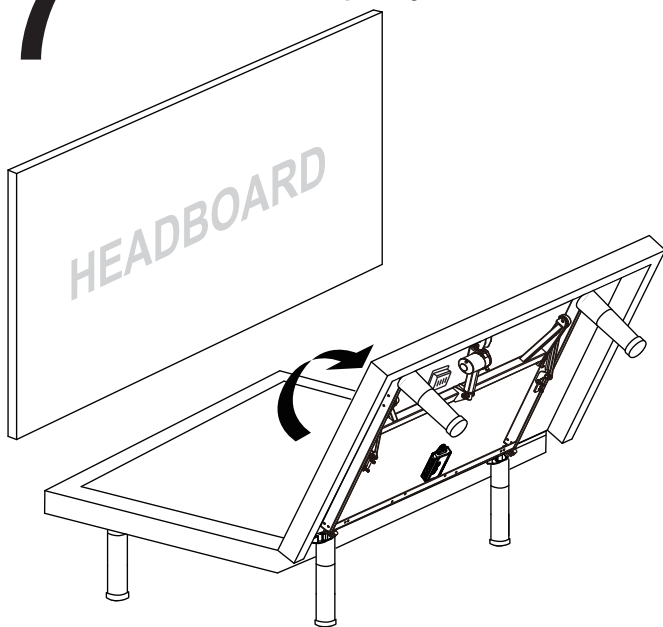


Remove the folding locking pin by pulling upwards.



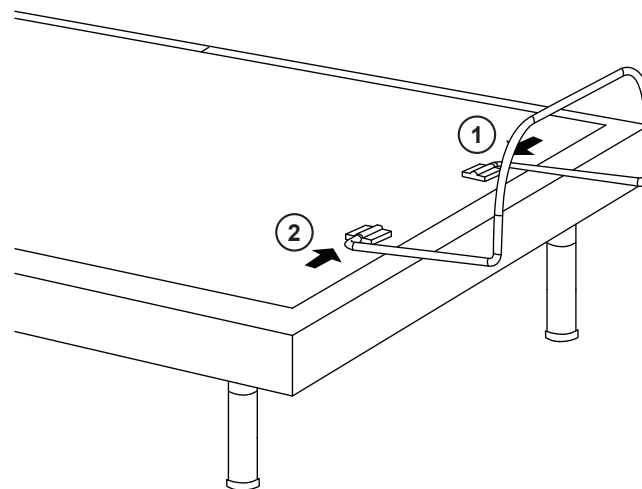
7

Make the bed completely flat.



8

Install the mattress retainer bar one side after another.

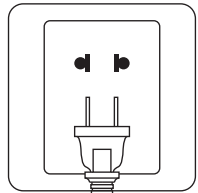


9

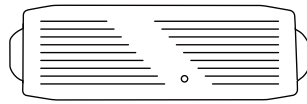
Uncoil the AC power cord, connect the DC power cord to the power supply and then connect the power supply to the AC power source.

Insert the batteries into the remote control.

AC Power Source



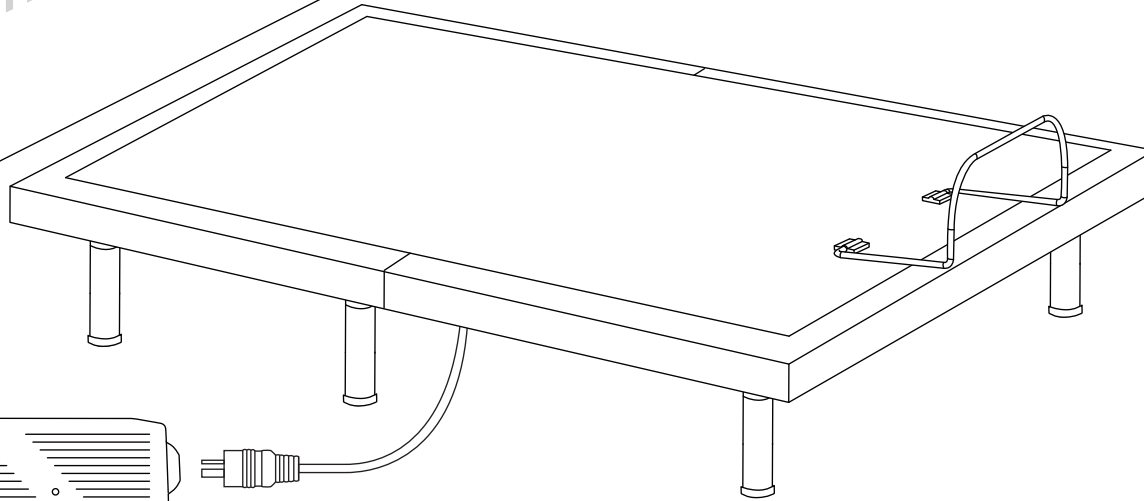
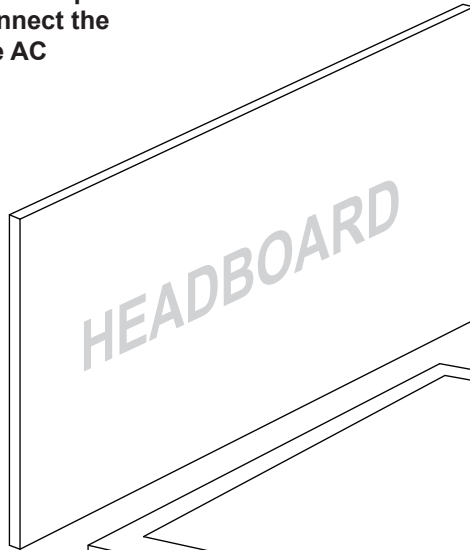
AC Power Cord



Power Supply



DC Power Cord

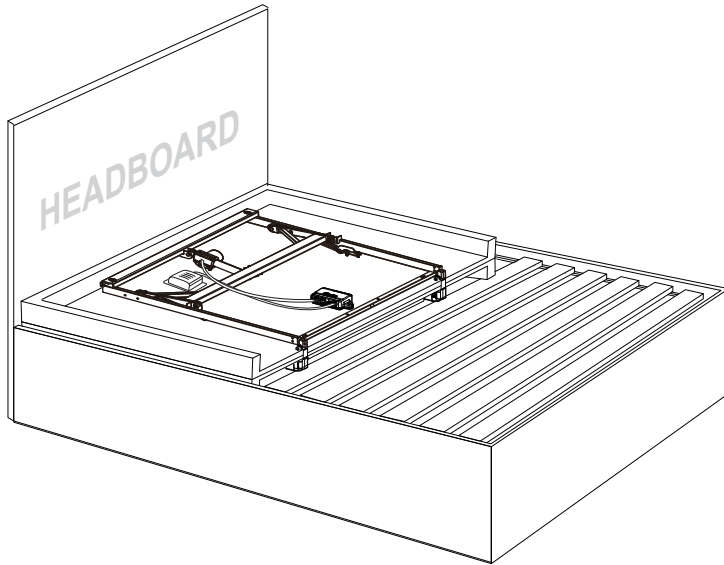


DONE!

Setup the power foundation with the bed frame and slat base.

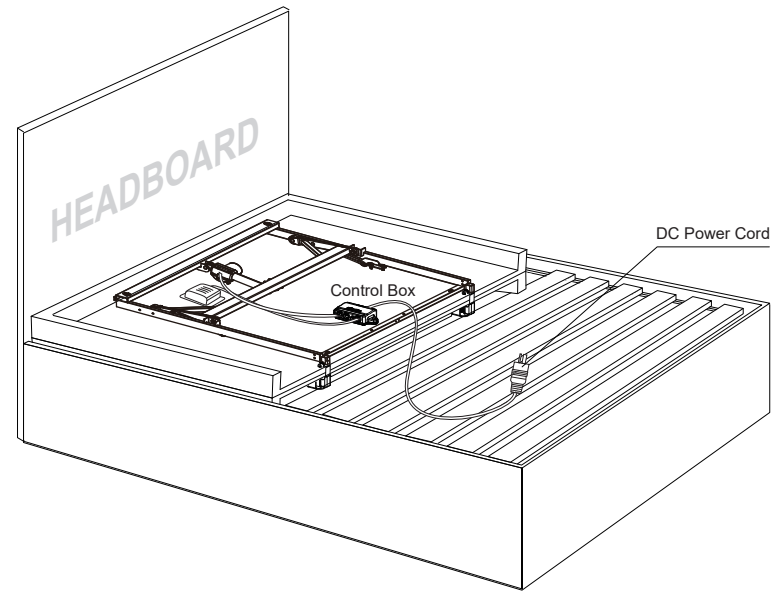
1

Take the bed out of the box, put it on the slat base, do not install any legs. Keep the bed folded.



2

Uncoil the DC power cord.



WARNING!

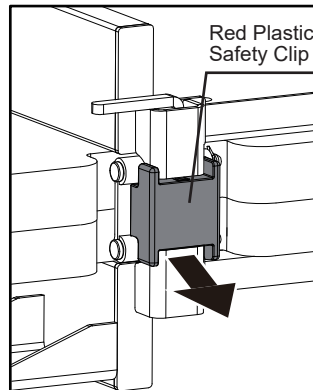
FAILURE TO FOLLOW THIS STEP WILL RESULT IN DAMAGE TO YOUR POWER FOUNDATION.

PLEASE MAKE SURE YOU FOLLOW THE INSTRUCTIONS CAREFULLY BEFORE UNFOLDING YOUR POWER FOUNDATION.

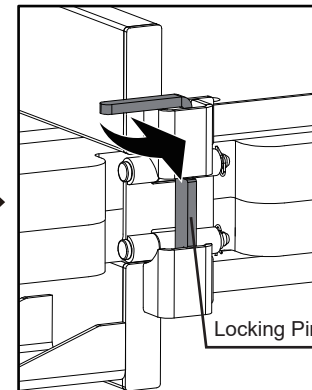
3

Remove the red plastic safety lock before unfolding your power foundation.

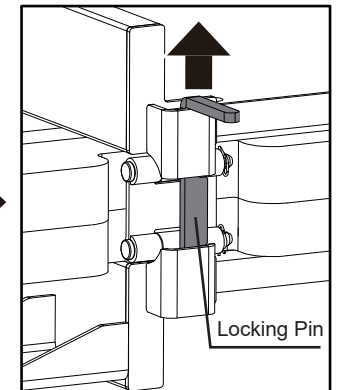
Remove the red plastic safety clip.



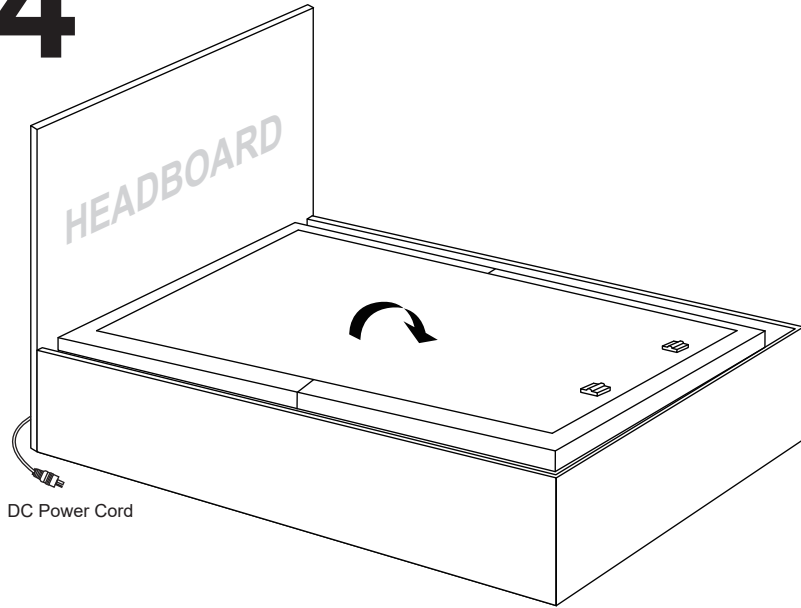
Turn the locking pin 90° in counter clockwise direction.



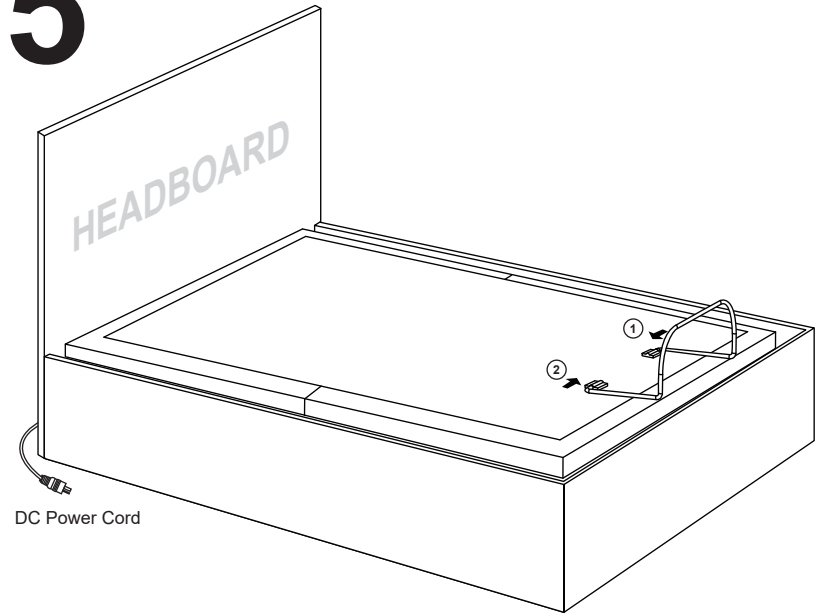
Remove the folding locking pin by pulling upwards.



4 Make the bed completely flat with a flipping motion.

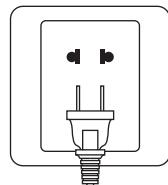


5 Install the mattress retainer bar one side after another.



6 Uncoil the AC power cord, connect the DC power cord to the power supply and then connect the power supply to the AC power source.

AC Power Source



AC Power Cord



Power Supply

DC Power Cord

Insert the batteries into the remote control.

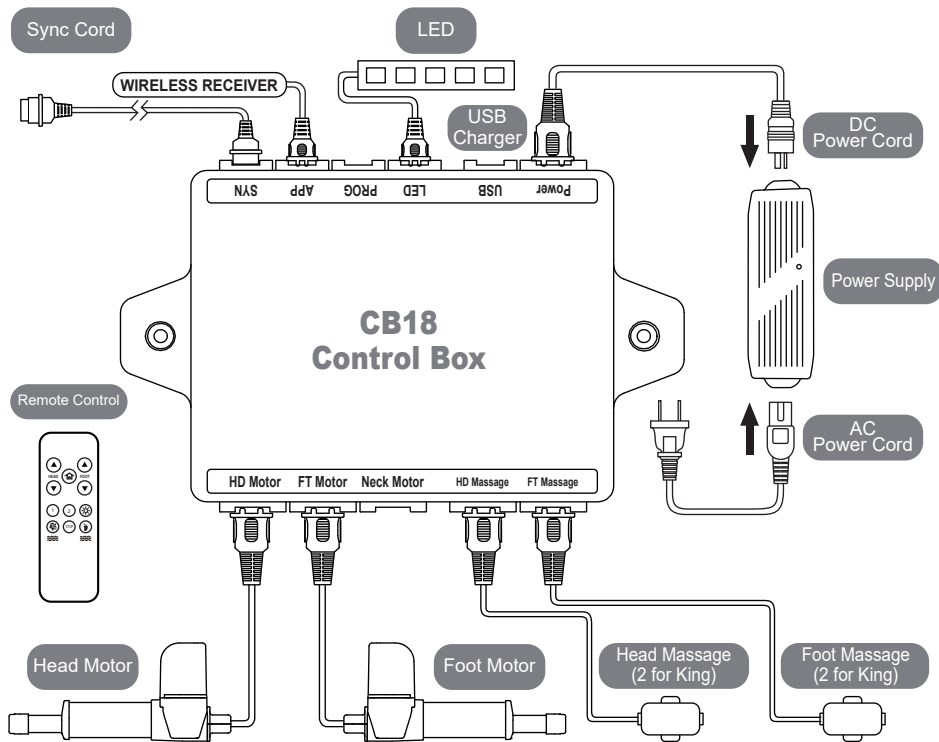


+



DONE!

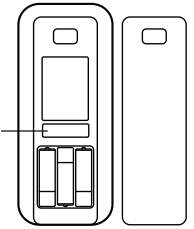
Electronics Quick Reference Guide



If simultaneous operation of two foundations is desired, please follow the steps listed below.

Sync cable is not required if both adjustable bases are equipped with V2.0 or newer remote controls. If the bases are equipped with V2.0 remote controls, follow the “Wireless Syncing Instruction”.

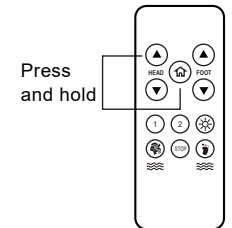
Model No.:*****
***** V2.0



If the adjustable bases are not equipped with V2.0 or newer remote controls, follow the “Synchronizing Two Foundation with Sync Cord” instruction.

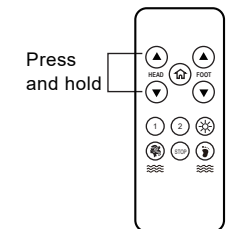
Wireless Syncing Instruction

- STEP 1: Make sure both remotes are individually paired to the foundation. If the remote is not paired with the foundation, follow the pairing instructions.
- STEP 2: Make sure both foundations are at home (flat position).
- STEP 3: Press and hold **HEAD** (▲) and (●) on both remotes at the same time for 5 seconds, or/until the blue **BACK LIGHTS FLASH**.



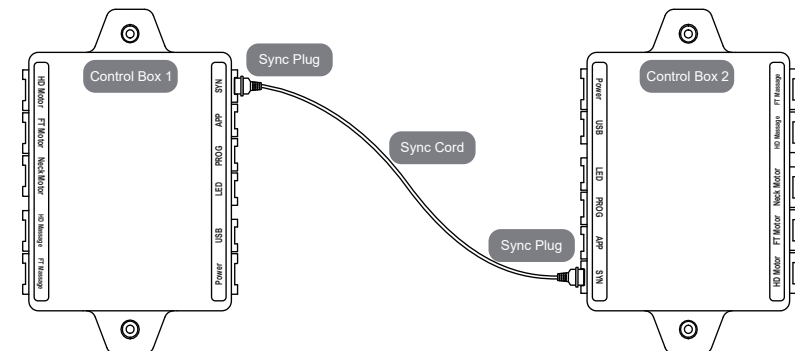
UN-SYNC Two Foundations

Press and hold **HEAD** (▲) and **HEAD** (▼) on both remotes at the same time for 5 seconds, or/until the blue **BACK LIGHTS FLASH**.

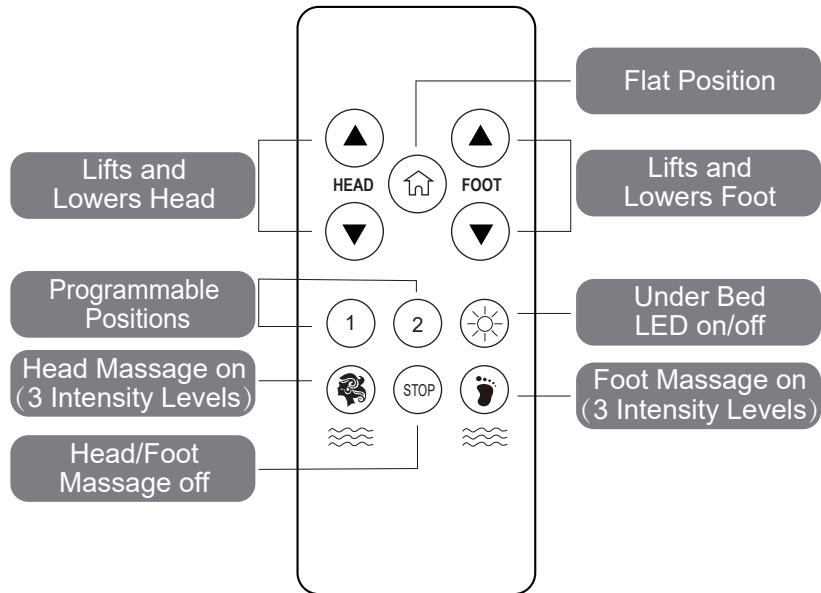


Synchronizing Two Foundations with Sync Cord

- STEP 1: Unplug foundations from the power source.
- STEP 2: Connect the male ends of the sync cord to the female sync plugs of the control boxes (Refer to below illustration).
- STEP 3: Plug foundations back into the power source.
- STEP 4: Check to ensure all cords are securely attached. Either remote will operate both foundations simultaneously.



Remote Control Instructions



ADJUST

- This button lifts the Head/Foot/Neck section of the foundation.
- This button lowers the Head/Foot/Neck section of the foundation.

ONE TOUCH BUTTON

- One touch flat position.
- One touch programmable positions.
- One touch programmable positions.

MESSAGE FEATURES

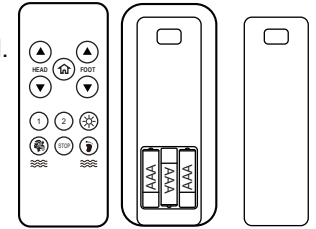
- Turn on the head massage. Cycle through 3 massage intensities.
- Turn on the foot massage. Cycle through 3 massage intensities.
- Turn off the head/foot massage.

UNDERNEATH LED LIGHTING

- One touch underneath LED lighting on/off.

Pairing Remote

The original remote that comes in the box is already paired to the foundation. No further action is required. In the event when the remote is not paired with the foundation, follow the pairing instructions below.



- STEP 1: Make sure the batteries are good. Replace them when needed.
- STEP 2: Unplug the power cord from the power source. If 9V backup batteries were installed in the power supply, remove them.
- STEP 3: Press and hold **HEAD** and simultaneously until the blue backlights of the remote control are off.
- STEP 4: Plug the power cord back into the power source. You will hear an activation sound in 2 seconds, indicating the remote is paired to the power foundation.

Setting Programmable Position

- STEP 1: Adjust the head and foot to your desired position.
- STEP 2: Press and hold the **LED on/off** button first, then press and hold one of the picture programmable buttons for 5 seconds until you hear a beep sound. The position is then saved.
- STEP 3: To adjust a saved position, repeat step 1 and 2 and the new position will be saved.

MotoSleep Mobile APP (Optional)

General Information

MotoSleep Mobile APP is a mobile application to control the MotoSleep Power Foundation with mobile devices. The application is available for both iOS and Android based smart devices.

The MotoSleep Mobile APP uses the latest technology to communicate with your MotoSleep Power Foundation. Make sure your mobile devices has the pairing function for the APP to work correctly.

Install the MotoSleep APP

IOS



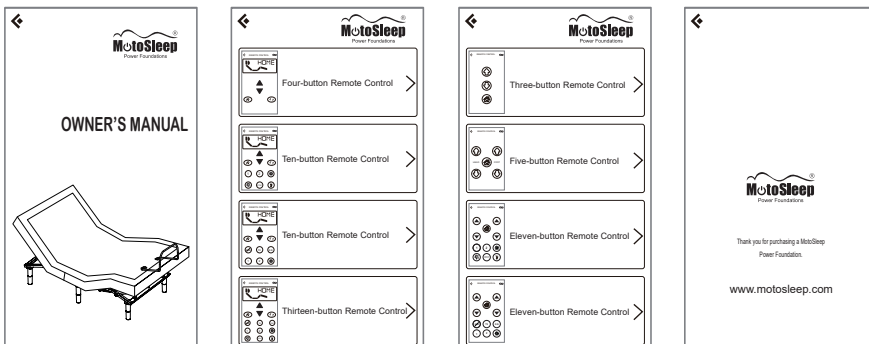
- Open APP Store on your IOS device
- Tap the Magnify Glass Icon and search with the keyword **MOTOSLEEP**
- Tap on **GET** and **INSTALL** to install the APP
- Wait for the download/installation to be complete

Android



- Open www.motosleep.com from your browser.
- Scroll down to the bottom of the page and press download.
- In the download page, tap the download button to download the app.
- Open the download file and install the app.

The Built-in Owner's Manual at your fingertip

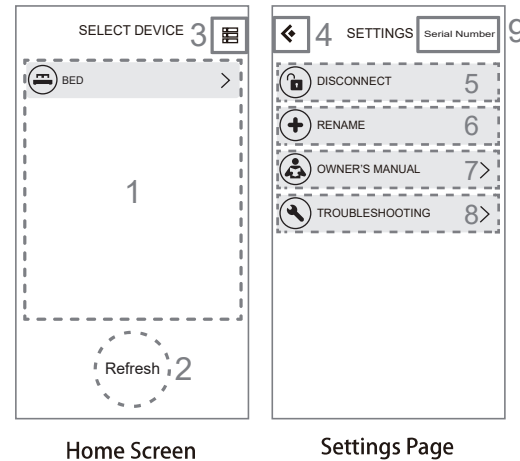


Device Pairing

Before you start. Switch on the pairing function on your mobile device. Make sure your MotoSleep Power Foundation is correctly connected and is power-on.

The MotoSleep APP will automatically pair your MotoSleep Power Foundation once you start the APP and does not require additional settings.

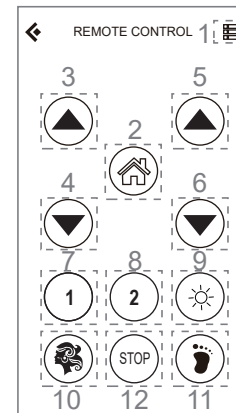
MotoSleep APP Home Screen



Home Screen	
1	List of MotoSleep Products within the connection range*
2	Tap the Refresh Button to refresh the MotoSleep Products List
3	Enter the Settings Page
Settings Page	
4	Back to the Home Screen
5	Disconnect from the paired MotoSleep Product
6	Rename your MotoSleep Power Foundation of your choice
7	Owner's Manual Page
8	Troubleshooting
9	Serial Number of the control box

* The effective connection range is $\pm 10m$

MotoSleep APP Remote Control



Remote Control	
1	Enter the Settings Page
2	One touch flat Position
3	Head Lifting function
4	Head Lowering function
5	Foot Lifting function
6	Foot Lowering function
7	Programmable Position 1
8	Programmable Position 2
9	Under Bed Lighting
10	Head Massage (3 different intensities)
11	Foot Massage (3 different intensities)
12	Massage Off Button

* Remote interface varies in between different MotoSleep Power Foundation models. If you wish to disconnect from the current paired Power Foundation, Enter the settings page and tap the Disconnect button.

Legs Installation Guide



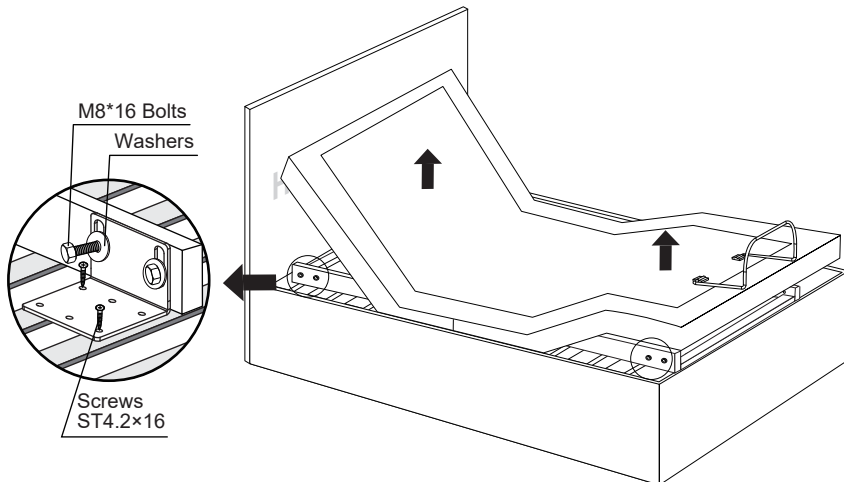
Leg Configuration Table				
Leg Configuration				
Leg Height	4 "	7 $\frac{7}{8}$ "	11 $\frac{3}{8}$ "	

Support leg may be needed on some slat/platform bed frames, refer to the leg configuration table for height adjustment.

* Make sure the adjustable legs are properly tight, and the plastic caps have been placed at the bottom of the legs. Incorrect installation might cause the part to fail or damage the floor.

STABILIZER BRACKETS COMPONENTS				
(4) Stabilizer Brackets	(8) Screws ST4.2×16	(8) Bolts M8*16	(8) Washers	(1) Socket Wrench

Stabilizer brackets are optional and not included. They can fix the bed onto the slat base. A phillips screwdriver and socket wrench are required to complete the installation.



Lift the head and foot end of the bed by remote control. Install four stabilizer brackets as shown. Use a phillips screwdriver and socket wrench to tighten the screws and bolts.

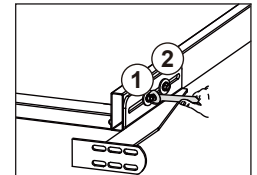
Headboard Bracket Installation Guide (Optional)

Headboard brackets are optional and not included. A 1/2" (13 mm) socket and 1/2" (13 mm) wrench are required to complete the installation.

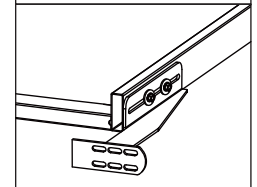
HEADBOARD BRACKET COMPONENTS				
(2) Headboard Brackets	(2) T-Brackets	(8) M8*16	(4) Nuts	(4) Washers
OPTIONAL EQUIPMENT/PART (NOT INCLUDED)				
 Socket and Wrench 1/2" (13mm)				

STEP 1

a) Align the slot hole of the headboard bracket to the sleeve into which the leg threads. **DO NOT OVERTIGHTEN.** Too much force may damage the thread.

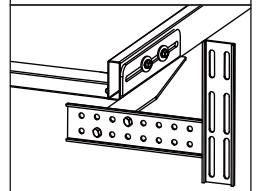
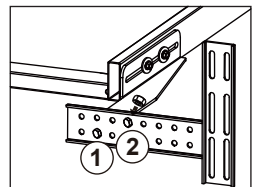


b) The headboard bracket has 2 adjustable slots to accommodate any frame type. Use the bolts and washers to secure the bracket. Make sure the bolts are tight.



STEP 2

a) To put the T-Bracket and Headboard Bracket together, you will need (2) M8×16 bolts and (2) nuts. Slip the bolts through the holes from T-Bracket to Headboard Bracket with the head of bolt facing outward. Use the 1/2" (13 mm) socket and 1/2" (13mm) wrench to tighten the bolts.



STEP 3

You may now connect your headboard to the attachment plates using the remaining short bolts and nuts to secure it to the brackets. The heads of the bolts will face outward. Use a 1/2" (13mm) socket and 1/2" (13mm) wrench to tighten the bolts.

Spacing Connector for TXL/T/CKS (Optional)

Install two spacing connectors to ensure the gap between the two adjustable bases is consistent.

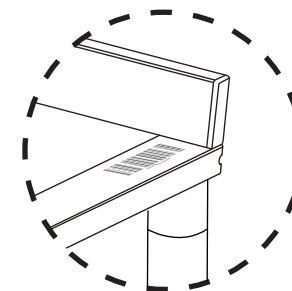
(2) SPACING CONNECTOR (TXL/T/CKS ONLY)



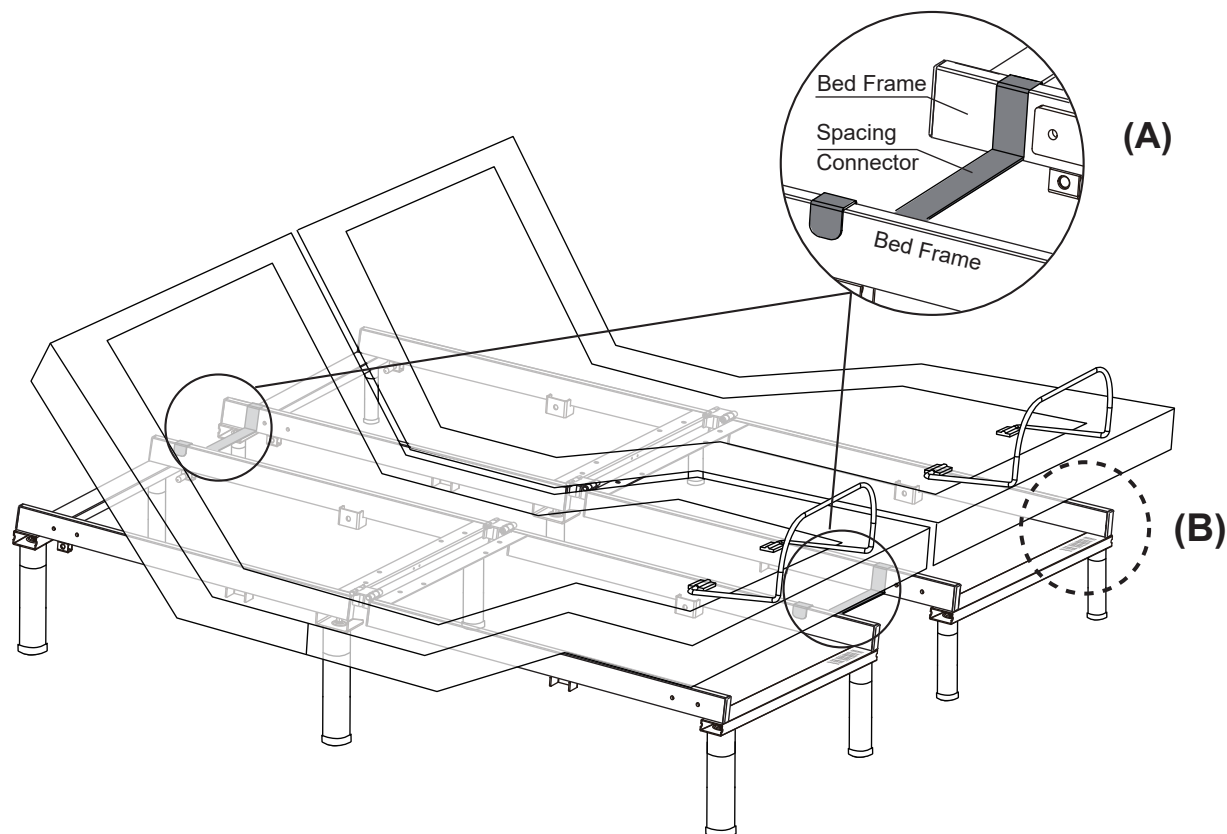
Figure (A)

Product Serial Number (Figure B)

Each power foundation has its unique serial number. The serial number can be found on the metal frame near the legs at the foot area.



(B)



Lift the head and foot end of the bed by remote control. Install the spacing connector as shown.

PRODUCT PROTECTED BY FOLLOWING PATENT:
— US PATENT: 10, 306, 994
— US PATENT: 11, 013, 330

Customer Service Toll Free: 1-844-696-6886

Email: motoservice@hhcusacorp.com