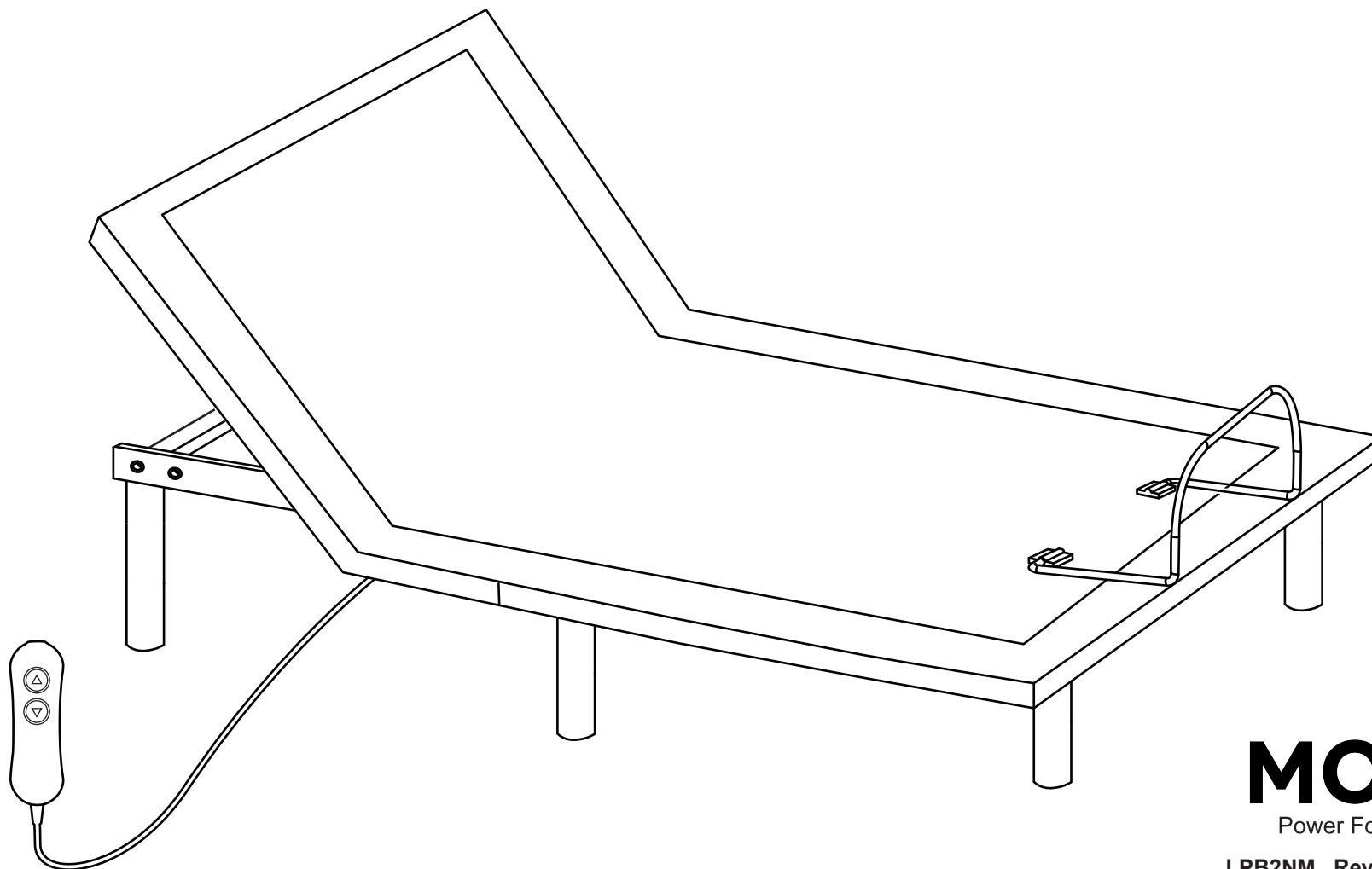


# OWNER'S MANUAL

## XFB/XSF/SFL Low-Profile Bed



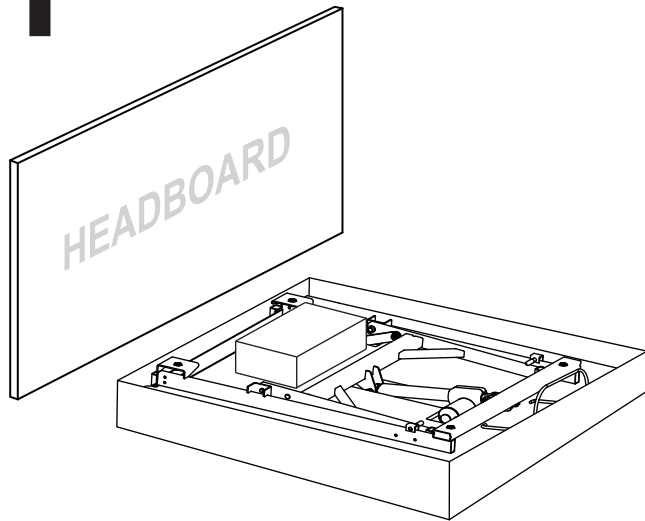
**MOTO**

Power Foundations

LPB2NM Rev 6.0 08/2023

# Setup the power foundation without the bed frame.

**1** Open the box lid.



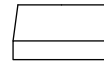
**2** Take out all the accessories from the packaging and put them aside. All electronics and components that need to be installed are located in boxes under the foundation or attached to the frame. Before discarding the packing materials, ensure that all the parts are accounted for.

Mattress Retainer Bar



x1(2 for K/CK)

Accessories Box



x1

ACCESSORIES BOX:

Legs



x6

Hand Control



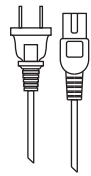
x1

Power Supply



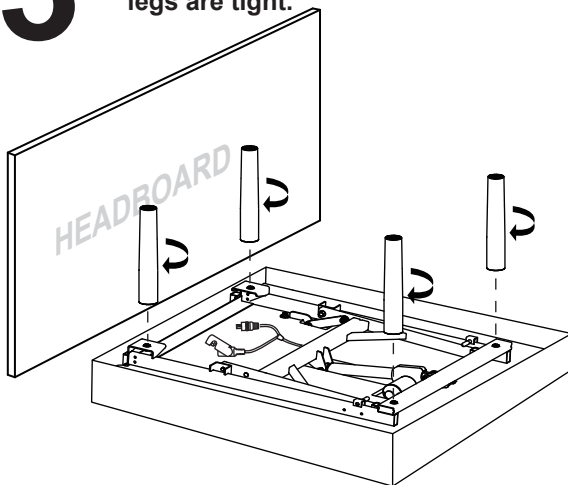
x1

AC Power Cord

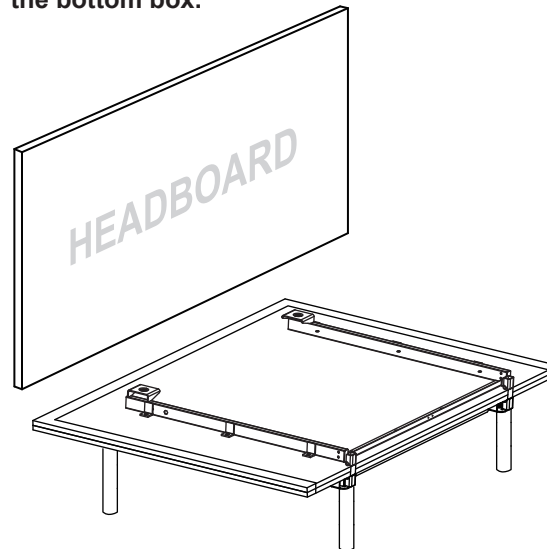


x1

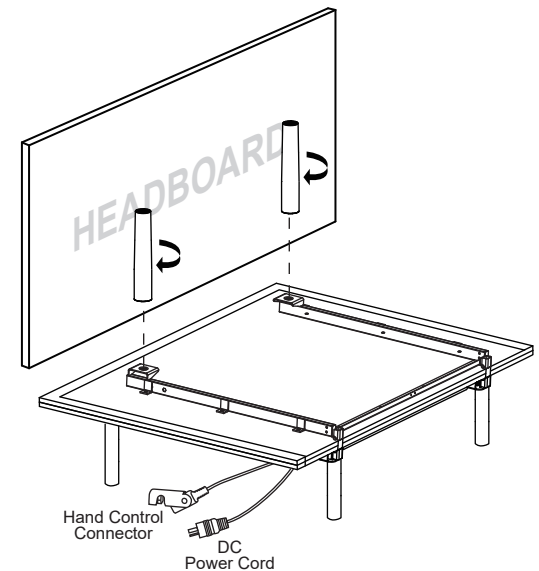
**3** Install 4 legs, make sure the legs are tight.



**4** Keep the bed folded. Flip over the bed with the bottom box on and let the bed stand on the 4 legs. Discard the bottom box.



**5** Install the remaining 2 legs on the foot end of the bed, make sure the legs are tight.





**WARNING!**

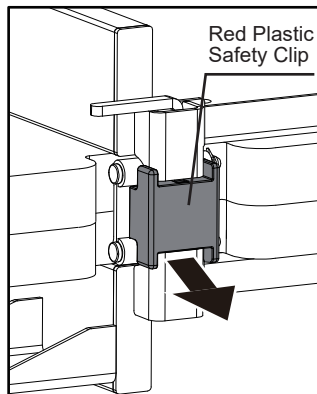
**FAILURE TO FOLLOW THIS STEP WILL RESULT IN DAMAGE TO YOUR POWER FOUNDATION.**

**PLEASE MAKE SURE YOU FOLLOW THE INSTRUCTIONS CAREFULLY BEFORE UNFOLDING YOUR POWER FOUNDATION.**

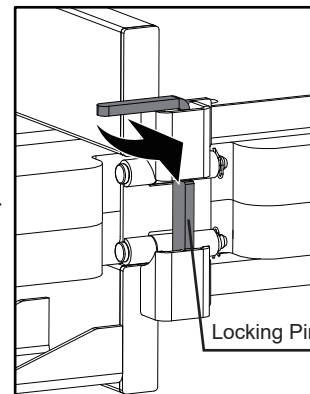
**6**

Remove the red plastic safety lock before unfolding your power foundation.

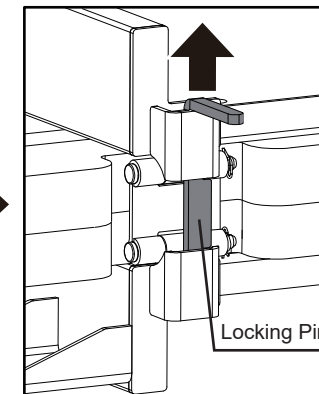
Remove the red plastic safety clip.



Turn the locking pin 90° in counter clockwise direction.

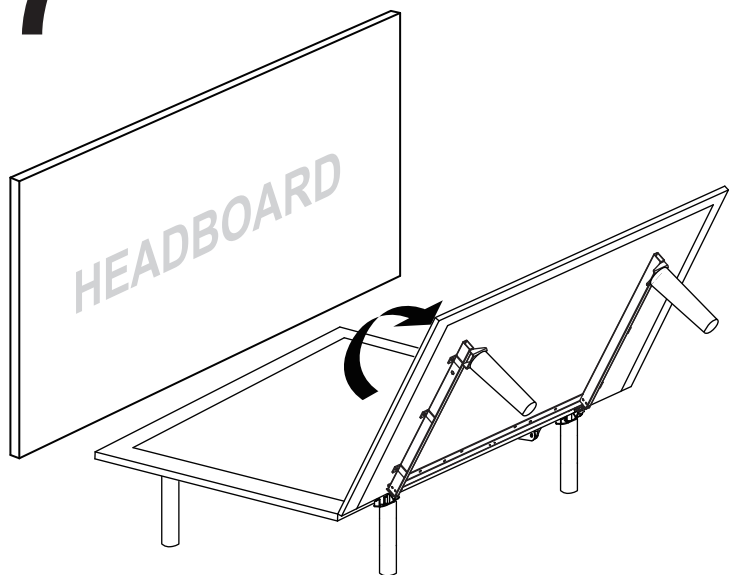


Remove the folding locking pin by pulling upwards.



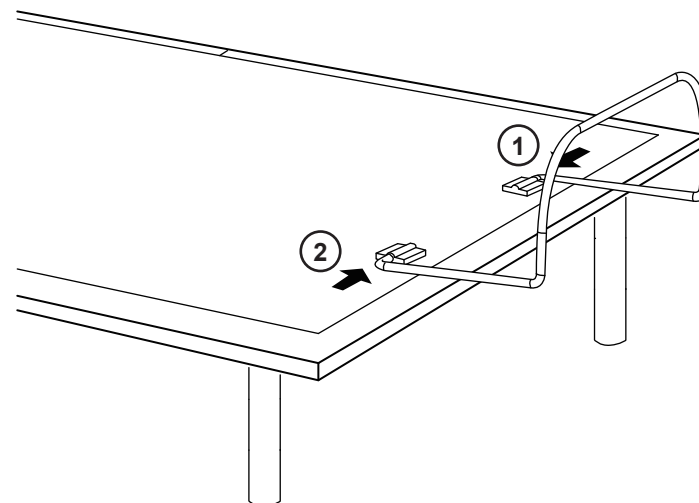
**7**

Make the bed completely flat.



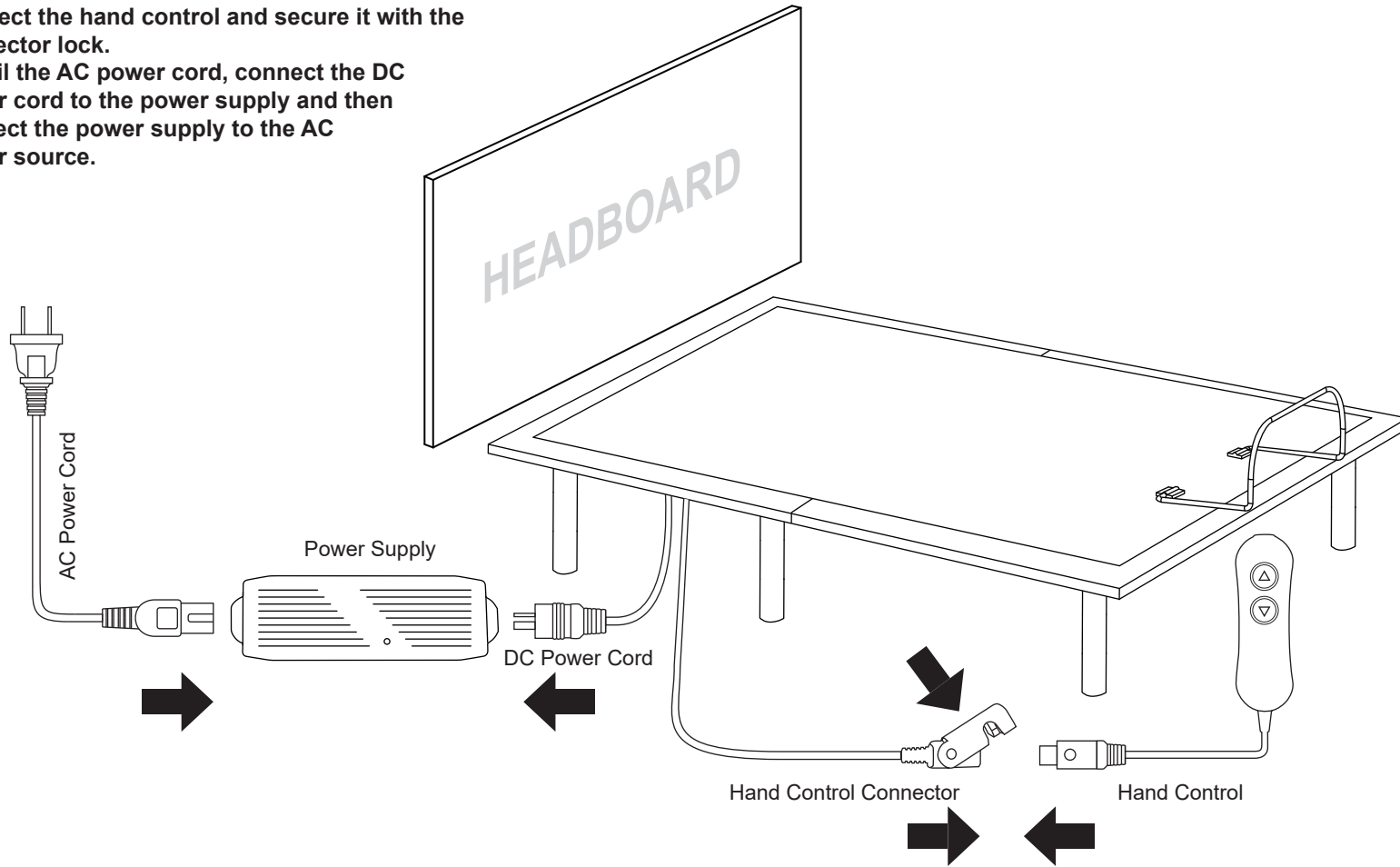
**8**

Install the mattress retainer bar one side after another.



# 9

Connect the hand control and secure it with the connector lock.  
Uncoil the AC power cord, connect the DC power cord to the power supply and then connect the power supply to the AC power source.

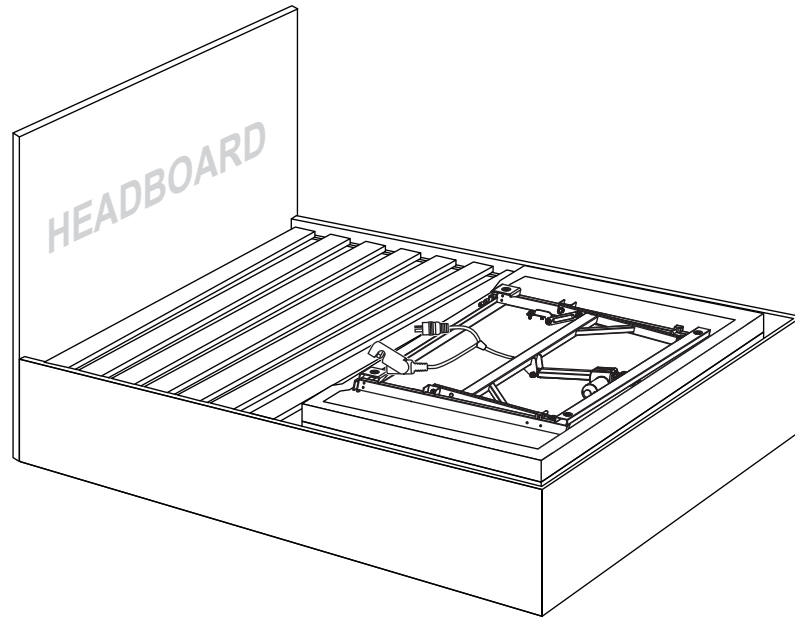


# DONE!

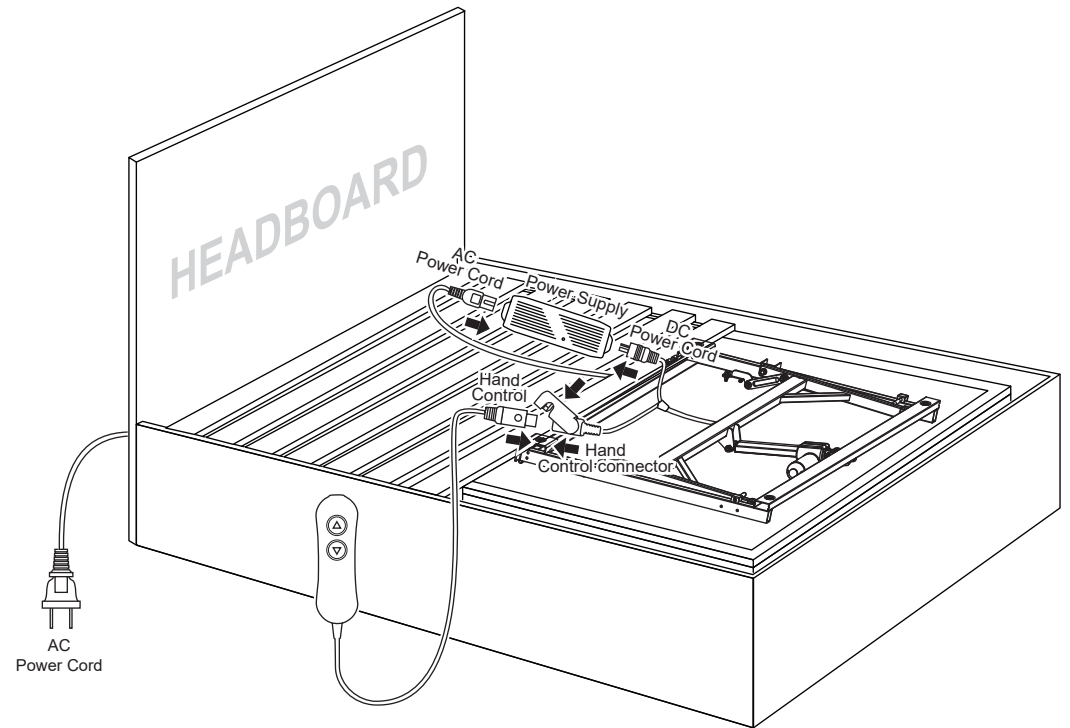
# Setup the power foundation with the bed frame and slat base.

**\*NOTE:** Optional parts are required.

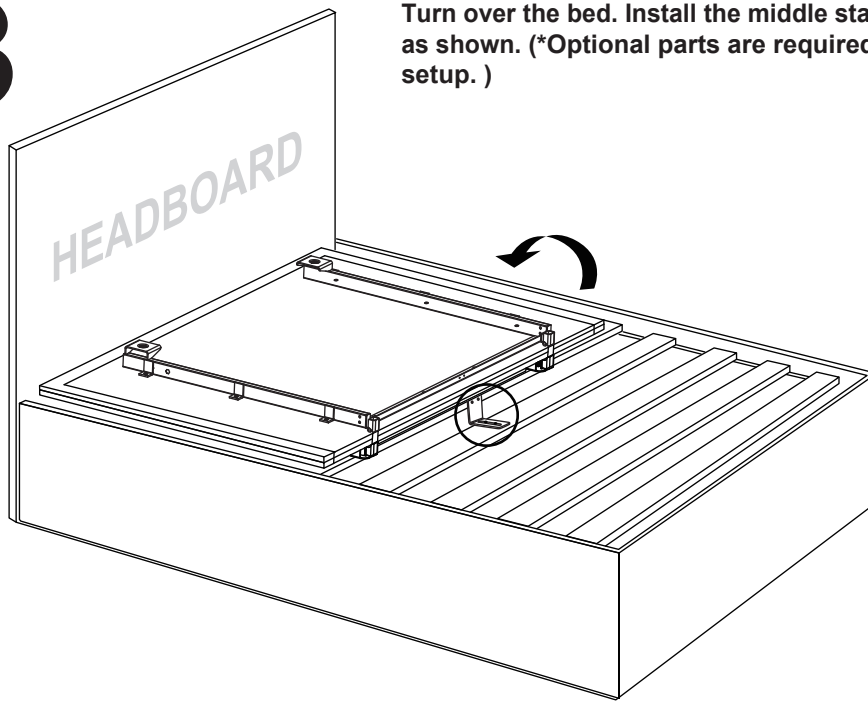
- 1** Take the bed out of the box, put it on the slat base, do not install any legs. Keep the bed folded.



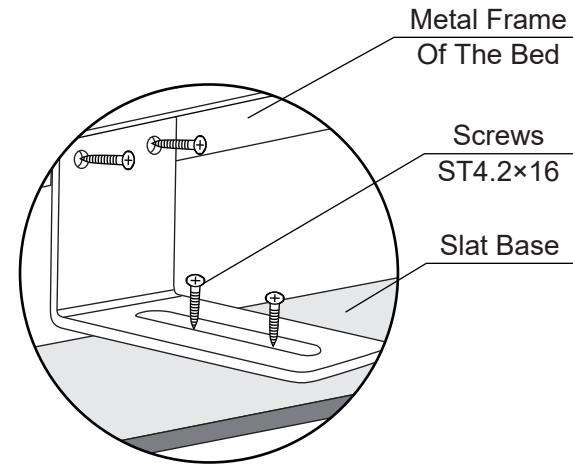
- 2** Connect the hand control and secure it with the connector lock. Uncoil the AC power cord, connect the DC power cord to the power supply and pull the AC power cord towards the direction of the AC power source through either the bottom or the side of the bed frame.



# 3



Turn over the bed. Install the middle stabilizer bracket as shown. (\*Optional parts are required to perform this setup. )



**WARNING!**

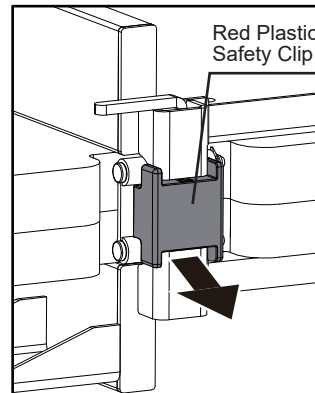
**FAILURE TO FOLLOW THIS STEP WILL RESULT IN DAMAGE TO YOUR POWER FOUNDATION.**

**PLEASE MAKE SURE YOU FOLLOW THE INSTRUCTIONS CAREFULLY BEFORE UNFOLDING YOUR POWER FOUNDATION.**

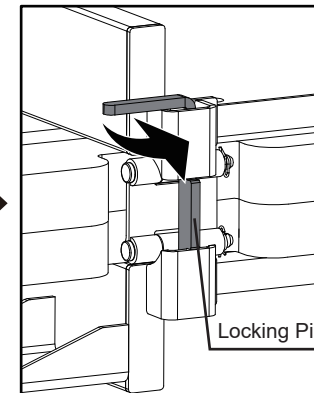
# 4

Remove the red plastic safety lock before unfolding your power foundation.

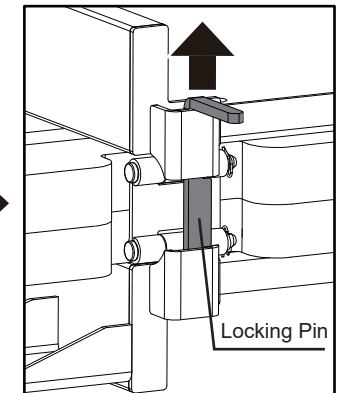
Remove the red plastic safety clip.



Turn the locking pin 90° in counter clockwise direction.

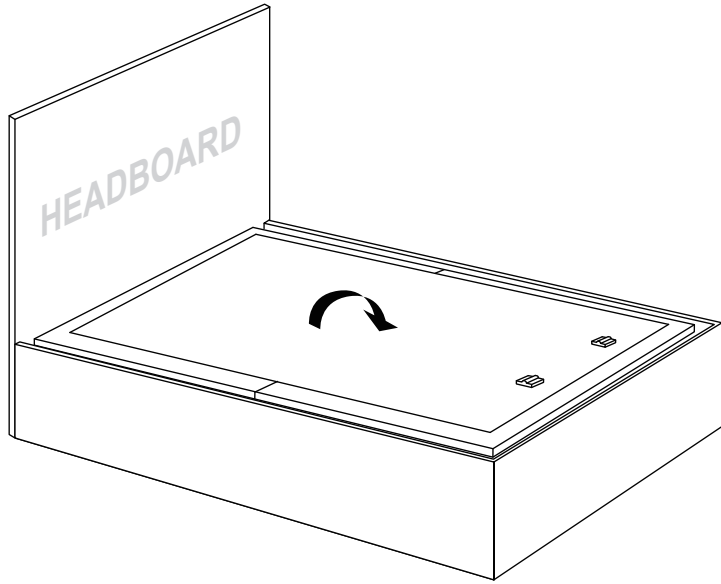


Remove the folding locking pin by pulling upwards.



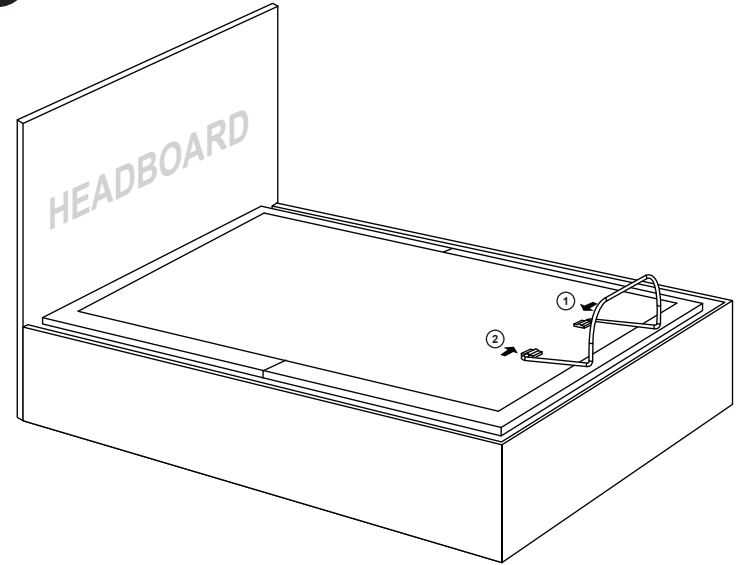
# 5

Make the bed completely flat with a flipping motion.



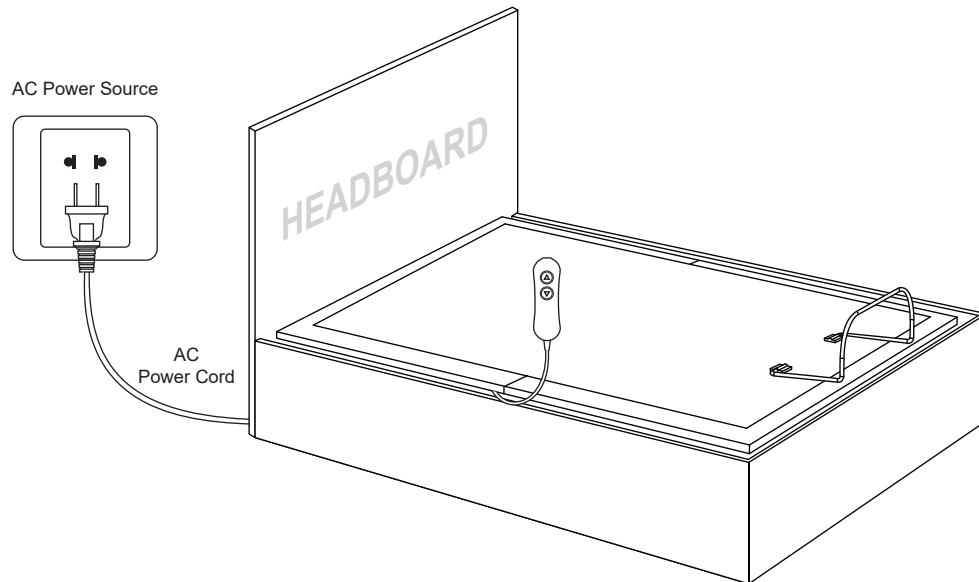
# 6

Install the mattress retainer bar one side after another.



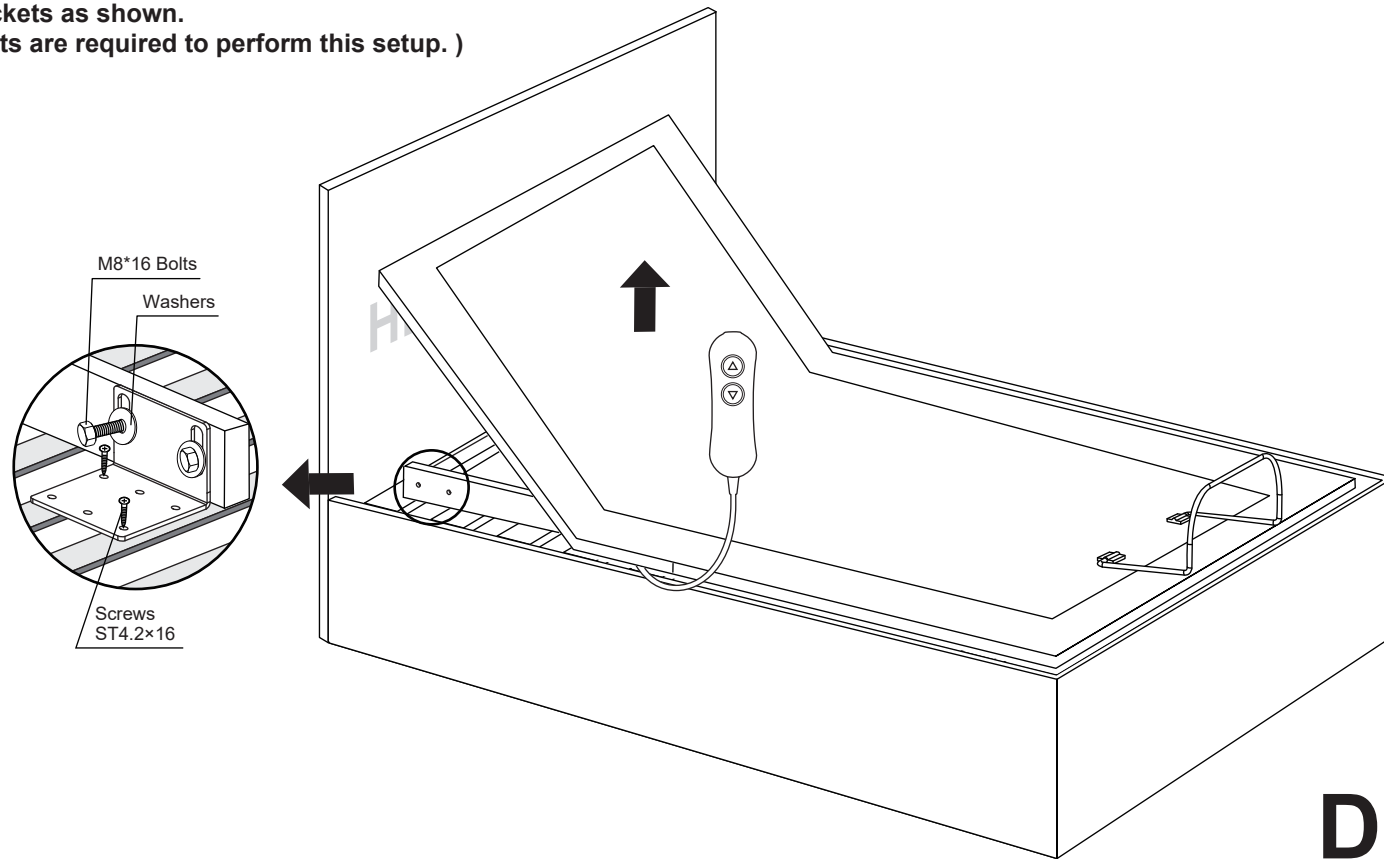
# 7

Connect the power supply to the AC power source.



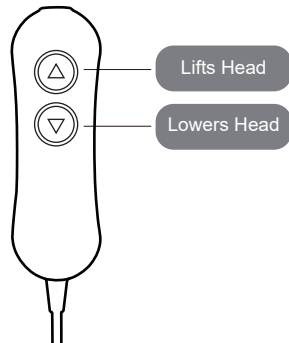
# 8

Lift the head of the bed by hand control. Install the two stabilizer brackets as shown. (\*Optional parts are required to perform this setup. )



# DONE!

## Hand Control Instructions




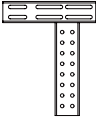
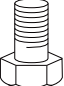


### ADJUST

- ▲ This button lifts the head section of the foundation.
- ▼ This button lowers the head section of the foundation.



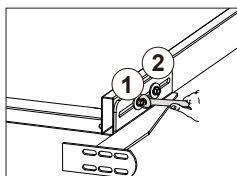
## Headboard Bracket Installation Guide (Optional)

Headboard brackets are optional and not included. A 1/2" (13 mm) socket and 1/2" (13 mm) wrench are required to complete the installation.

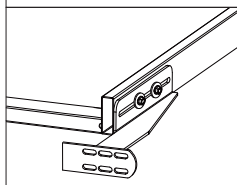
HEADBOARD BRACKET COMPONENTS				
(2) Headboard Brackets	(2) T-Brackets	(8) M8*16	(4) Nuts	(4) Washers
				

### STEP 1

a) Align the slot hole of the headboard bracket to the sleeve into which the leg threads. **DO NOT OVERTIGHTEN.** Too much force may damage the thread.

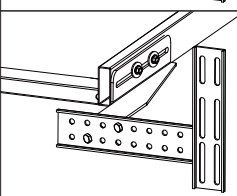
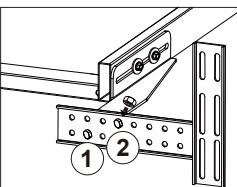


b) The headboard bracket has 2 adjustable slots to accommodate any frame type. Use the bolts and washers to secure the bracket. Make sure the bolts are tight.



### STEP 2

a) To put the T-Bracket and Headboard Bracket together, you will need (2) M8×16 bolts and (2) nuts. Slip the bolts through the holes from T-Bracket to Headboard Bracket with the head of bolt facing outward. Use the 1/2" (13 mm) socket and 1/2" (13mm) wrench to tighten the bolts.




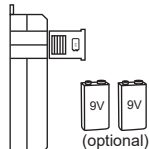


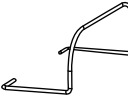
### STEP 3

You may now connect your headboard to the attachment plates using the remaining short bolts and nuts to secure it to the brackets. The heads of the bolts will face outward. Use a 1/2" (13mm) socket and 1/2" (13mm) wrench to tighten the bolts.


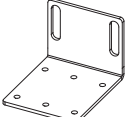
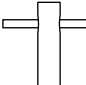

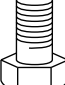

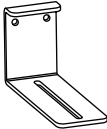
## Parts List

All electronics and components that need to be installed are located in boxes under the foundation or attached to the frame. Before discarding the packing materials, ensure that all the parts are accounted for.

### INCLUDED WITH POWER FOUNDATION

(1) Hand Control	(1) Power Supply with Battery Backup Box	(1) AC Power Cord	(6) Legs	(1) Mattress Retainer Bar (2 for King)
				

### OPTIONAL EQUIPMENT/PART (NOT INCLUDED)

Socket and Wrench 1/2" (13 mm)				
				
(2) Stabilizer Brackets	(1) Socket Wrench	(8) Screws ST4.2×16	(4) M8*16 Bolts	(4) Washers
				
(1) Middle Stabilizer Bracket				
				

## Spacing Connector for TXL/T/CKS (Optional)

Install two spacing connectors to ensure the gap between the two adjustable bases is consistent.

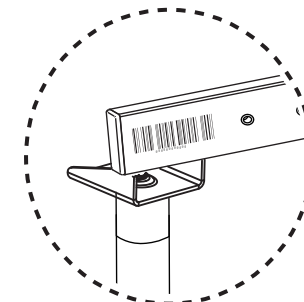
(2) SPACING CONNECTOR (TXL/T/CKS ONLY)



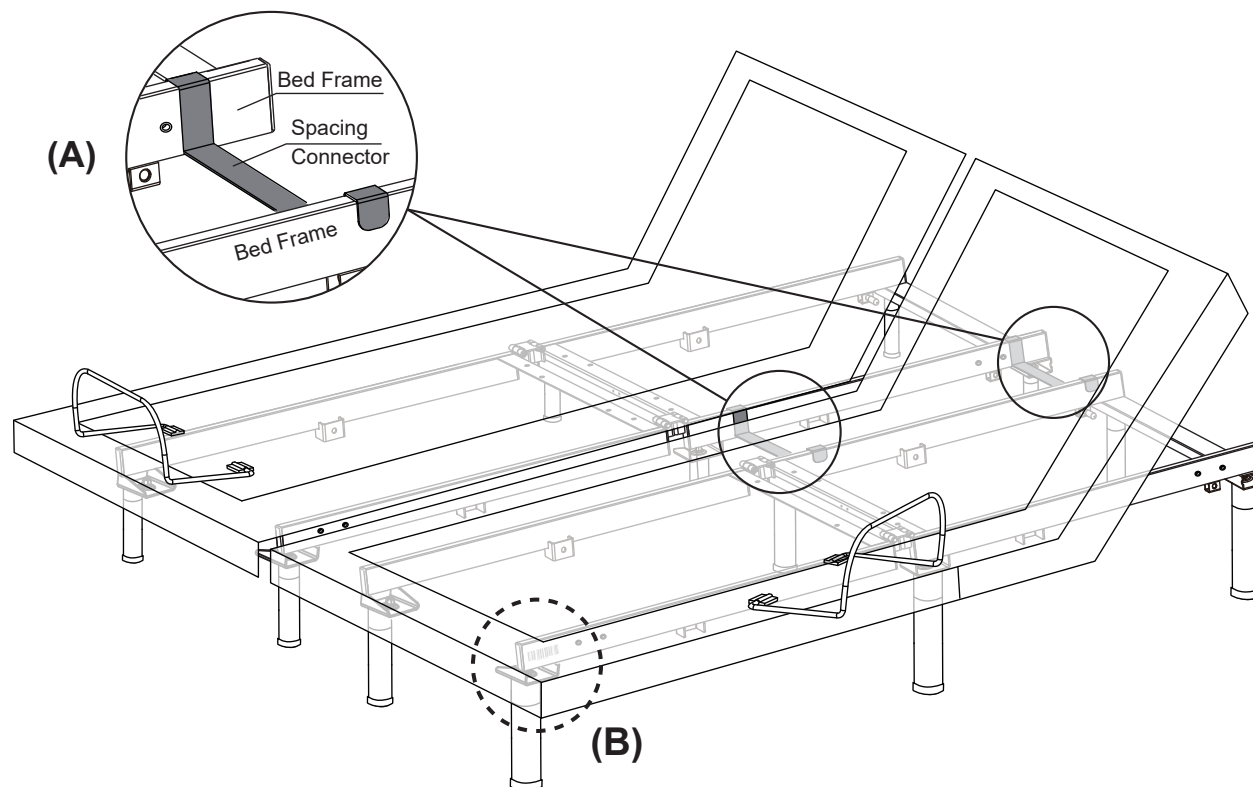
Figure (A)

## Product Serial Number (Figure B)

Each power foundation has its unique serial number. The serial number can be found on the metal frame near the legs at the foot area.



(B)



Lift the head and foot end of the bed by remote control. Install the spacing connector as shown.

PRODUCT PROTECTED BY FOLLOWING PATENT:  
— US PATENT: 10, 306, 994  
— US PATENT: 11, 013, 330

Customer Service Toll Free: 1-844-696-6886

Email: [motoservice@hhcusacorp.com](mailto:motoservice@hhcusacorp.com)